

MODEL 1220-7

Holding & Transport Cabinets

1220-7-1M1ZN (Without Bumper)

1220-7-1M1ZB (With Bumper)



UL Listed to Canadian safety standards
Classified by UL to NSF Std. #4

Specifications

Wittco Model 1220-7 heated holding and transport cabinets with a narrow footprint designed specifically to hold 7 each 12 "x20 "x2½" pans on fixed racking. Blower motor for gentle and even temperature distribution. Unit comes standard with 5 " heavy duty casters (2 swivel with brakes and 2 rigid). Recessed control panel containing dual indicator light, thermometer, and full range thermostat for temperatures up to 190°F (88°C). Cabinet interior and exterior are both constructed out of 20 gauge stainless steel. Recessed side-mounted lift handles, magnetic action door latch, and full insulation; 1½ " in side walls and 2 " in top. Integrated steel frame for maximum strength. Lifetime warranty on heating elements. Complete with cord, cord wrap, and plug: NEMA 5-15 for 120 volts and NEMA 6-15 for 208-240 volts. 120 volts, 1,500 watts, 12.5 amps.

Standard Features

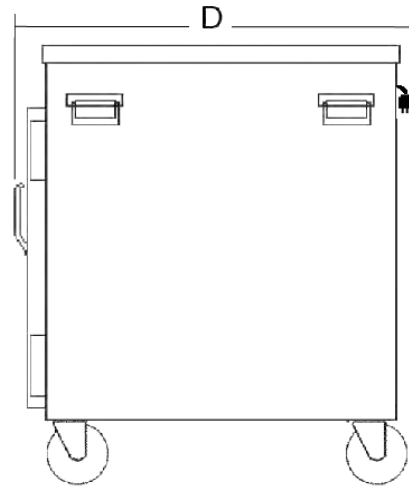
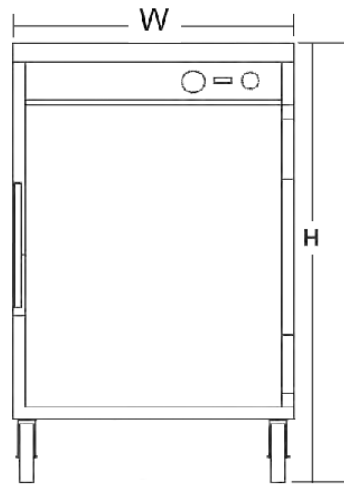
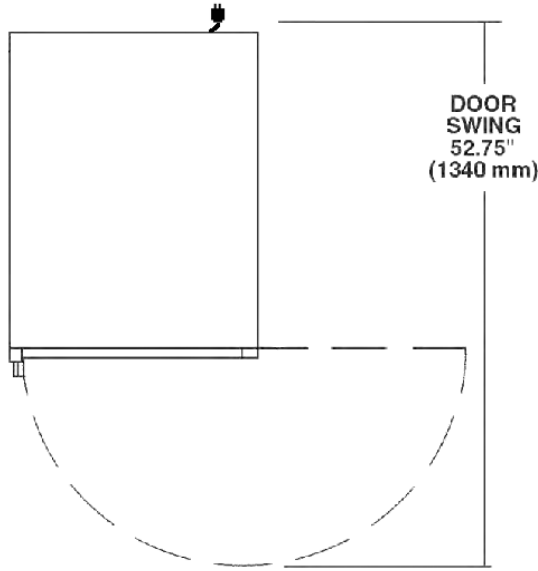
- Holding and Transport Capacity
Narrow footprint designed specifically to hold 7 each 12 "x20 "x2½" pans on fixed racking
- Blower motor for gentle and even temperature distribution
- 5 " Heavy duty casters (2 swivel with brakes and 2 rigid) Recessed side mounted lift handles
- Recessed control panel
- Dual indicator lights
- Thermometer
- Full range thermostat for temperatures up to 190°F (88°C)
- Interior and exterior are both constructed out of 20 gauge stainless steel
- Fully insulated with 1½ " in side walls and 2 " in top
- Integrated steel frame for maximum strength
- Magnetic action door latches
- Lifetime warranty on heating elements
- Cord Wrap
- Complete with cord and plug: NEMA 5-15 for 120 volts and NEMA 6-15 for 208-240 volts
- 120 volts, 1,500 watts, 12.5 amps

Options

- 208/240 volts
- Full perimeter bumper
- Left hand hinged door
- Humidity pan

MODEL 1220-7

Holding & Transport Cabinets
 1220-7-1M1ZN (Without Bumper)
 1220-7-1M1ZB (With Bumper)



Model No	Capacity	High	Wide	Deep	Shipping Weight	Volts	Watts	Amps	
1220-7-1M1ZN	12 "x20 "x2½"	7	36.75 "	17.25 "	27.5 "	140#	120	1,500	12.5

Add 2.5" to width and depth for optional bumper.

Note: In line with its policy to continually improve its products, Wittco Foodservice Equipment reserves the right to change materials and specifications without notice.

Wittco Foodservice Equipment 7737 N 81st Street Milwaukee, WI 53223 USA

414-434-4713 FAX 414-354-2821