



UL Listed to Canadian safety standards  
Classified by UL to NSF Std. #4

## Specifications

Wittco Models 200-1-SL-1M0ZN and 200-2-SL-1M0ZN Slim-Line one and two drawer heated drawer warmers are provided with a 12" x 20" x 6" steam table pan for each drawer. Recessed control panel containing dual indicator light and full range thermostat for temperatures up to 190°F ( 88°C ), and individual elements and thermometer for each drawer. Heavy duty 14 gauge stainless steel drawer slides and stainless steel roller bearings provide for smooth dependable operation of the drawers. Each drawer comes with a moist/crisp vent control and an oversize tubular drawer handle for increased durability. Drawer slides and elements carry a lifetime replacement warranty. Fully insulated with 1" in the side walls and top. Cabinet interior and exterior are both constructed out of 20 gauge stainless steel. Each unit comes complete with 5" adjustable legs and a 6 foot cord and NEMA 5-15 plug ( 6-15 plug for 208/240 volt units ). 120 volts, 600 watts, 5 amps per drawer.

Item# \_\_\_\_\_

## MODELS

200-1-SL-1M0ZN

200-2-SL-1M0ZN

Slim-Line Drawer Warmers

## Standard Features

- Heavy duty drawer slim-line heated drawer warmers standard with a 12" x 20" x 6" steam table pan for each drawer
- Each drawer has
  - A recessed control panel
  - A full range thermostat for temperatures up to 190°F ( 88°C )
  - A dual indicator light
  - Individual elements
  - A thermometer
  - A tubular oversize handle for increased durability and easy operation
  - A moist/crisp vent control
  - 14 gauge stainless steel drawer slides and stainless steel roller bearings provide for smooth dependable operation of the drawers.
- Interior and exterior are both constructed out of 20 gauge stainless steel.
- Fully insulated with 1" in the side walls and top
- A life time warranty on
  - Elements
  - Drawer slides
- Adjustable 5" legs
- Complete with 6 foot cord and plug: NEMA 5-15 plug ( 6-15 plug for 208/240 volt units )
- 120 volts, 600 watts, 5 amps per drawer

## Options

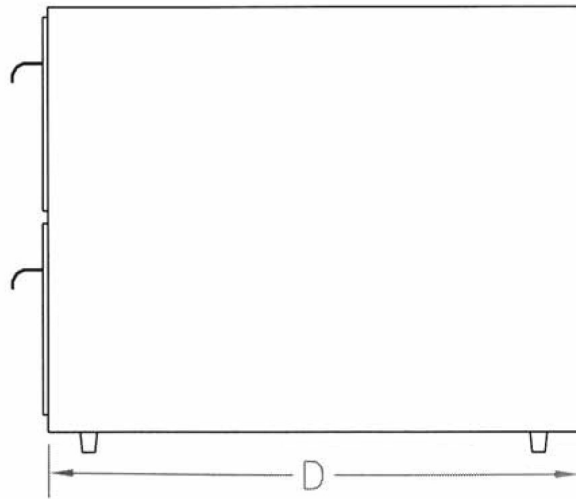
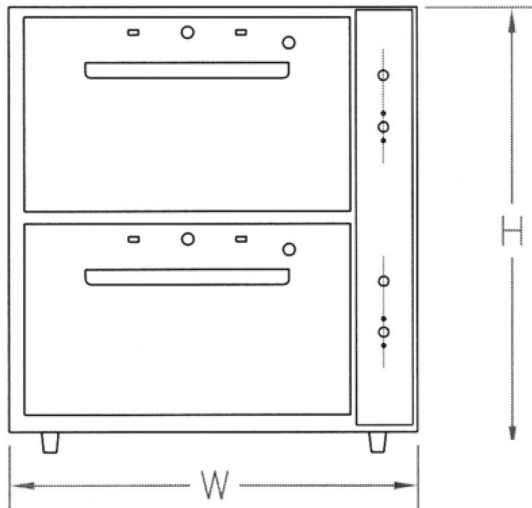
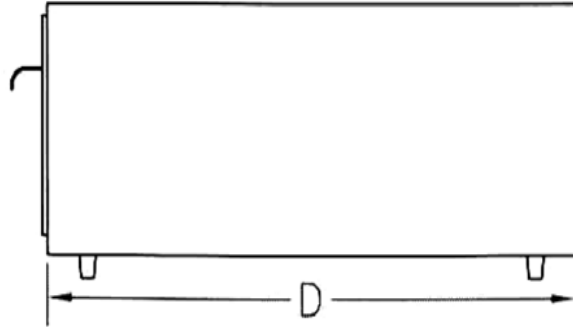
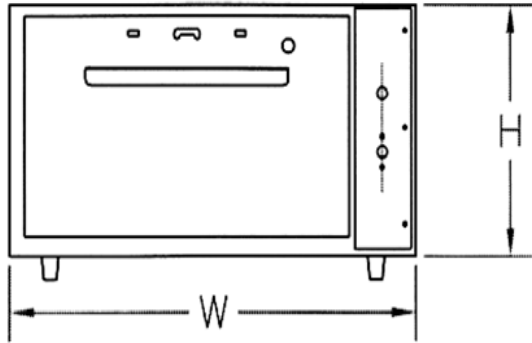
- 208/240 volts
- Trim kit for built-in applications
- Caster kits

Wittco Foodservice Equipment 7737 N 81st Street Milwaukee, WI 53223 USA

414-434-4713

FAX 414-354-2821

**MODELS**  
**200-1-SL-1M0ZN**  
**200-2-SL-1M0ZN**  
 Slim-Line Drawer Warmers



Add 5" to the height with legs installed.

Model No	Capacity Per Drawer	High	Wide	Deep	Shipping Weight	Volts	Watts	Amps
200-1-SL-1M0ZN	12 "x20 "x6"	11½ "w/o legs	20½ "	30½ "	92lbs.	120	600	5
200-2-SL-1M0ZN	12 "x20 "x6"	21½ "w/o legs	20½ "	30½ "	142#	120	1200	10

Note: In line with its policy to continually improve its products, Wittco Foodservice Equipment reserves the right to change materials and specifications without notice.

**Wittco Foodservice Equipment 7737 N 81st Street Milwaukee, WI 53223 USA**

**414-434-4713 FAX 414-354-2821**