



INSTALLATION & OPERATION MANUAL

CHIP WARMERS

MODELS:

500-CW

700-CW

500-CW-EX (New 2014)

700-CW-EX (New 2014)



For additional information on WITTCO or to locate an authorized parts and service provider in your area, visit our website at www.wittco.com

IMPORTANT FOR YOUR SAFETY

THIS MANUAL HAS BEEN PREPARED FOR PERSONNEL QUALIFIED TO INSTALL ELECTRICAL EQUIPMENT, WHO SHOULD PERFORM THE INITIAL FIELD START-UP AND ADJUSTMENTS OF THE EQUIPMENT COVERED BY THIS MANUAL.

FOR YOUR SAFETY

DO NOT STORE OR USE GASOLINE OR OTHER FLAMMABLE VAPORS OR LIQUIDS IN THE VICINITY OF THIS OR ANY OTHER APPLIANCE.

WARNING

Improper installation, adjustment, alteration, service, or maintenance can cause property damage, injury, or death.

Read the installation, operating and maintenance instructions thoroughly before installing or servicing equipment.

**IN THE EVENT OF A POWER FAILURE,
DO NOT ATTEMPT TO OPERATE THIS DEVICE.**

TABLE OF CONTENTS

IMPORTANT FOR YOUR SAFETY	1
GENERAL	3
INTRODUCTION	3
INSTALLATION ALL MODELS.....	3
UNPACKING	3
LEGS INSTALLATION	3
LOCATION	3
INSTALLATION SPECIFIC TO MODELS 500-CW & 700-CW	4
ELECTRICAL REQUIREMENTS	5
ELECTRICAL CODES & STANDARDS	5
ELECTRICAL CONNECTIONS	5
500-CW, 700-CW	
OPERATION INSTRUCTIONS.....	6
CLEANING INSTRUCTIONS	6
500-CW-EX, 700-CW-EX	
OPERATION INSTRUCTIONS	7
CLEANING INSTRUCTIONS	8
STAINLESS STEEL CARE	9
LOCKOUT / TAGOUT PROCEDURE	10
TROUBLESHOOTING	11
SERVICE & PARTS INFORMATION	11

GENERAL

INTRODUCTION

Wittco Chip Warmers are produced with quality workmanship and material. Proper installation, usage, and maintenance of your warmer will result in many years of satisfactory performance.

It is suggested that you thoroughly read this entire manual and carefully follow all of the instructions provided.

As with any piece of food service equipment, this Chip Warmer requires a minimum of care and maintenance. Recommended procedures are contained in this manual and should become a regular part of the operation of the unit.

INSTALLATION (All Models)

Before installing, verify that the electrical service agrees with the specifications on the rating plate located on the lower back corner of the warmer. If the supply and equipment requirements do not agree, do not proceed with unpacking and installation. Contact your Wittco Customer Service Department immediately. (Fig. 4)

UNPACKING:

The Warmer was inspected before leaving the factory. The transportation company assumes full responsibility for safe delivery upon acceptance of the shipment. Immediately after unpacking, check for possible shipping damage to the warmer.

If the warmer is found to be damaged, save the packaging material and contact the carrier within 15 days of delivery.

Carefully unpack warmer and place in a work accessible area.

1. Remove banding holding the carton to the pallet.
2. Carefully remove warmer from carton and place on floor or table.
3. Remove any and all packaging materials inside unit.
4. Peel off all vinyl protection film.
5. Thoroughly clean the warmer as described in the cleaning instructions in this manual.

LEGS INSTALLATION:

To install legs, carefully tip Chip Warmer onto its side. Screw legs into pre-drilled holes. Return warmer to the upright position.

LOCATION:

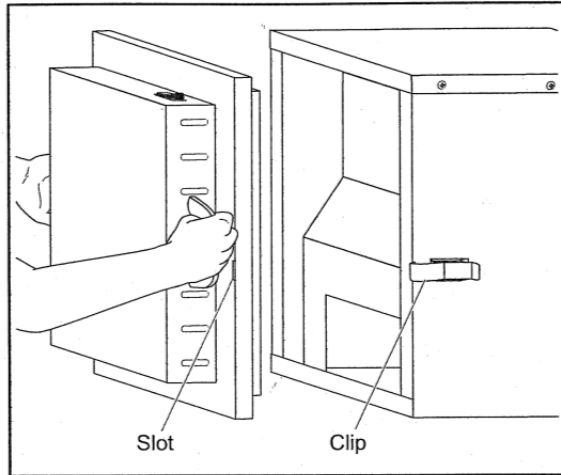
For efficient warmer operation, choose a location that will provide easy loading and unloading without interfering with the final assembly of food orders.

The installation location must allow adequate clearances for servicing and proper operation.

INSTALLATION SPECIFIC TO MODELS 500-CW & 700-CW

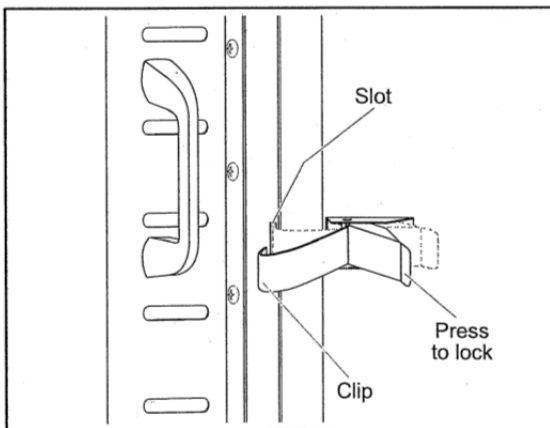
ACCESS PANEL POSITIONING:

1. Ensure that top Baffle notches are over carriage bolts.
2. Insert Access Panel onto the back of the Chip Warmer. (*Fig. 1*)



(*Fig. 1*)

3. On both sides of Access Panel, place clips into slots, then lock. (*Fig. 2*)

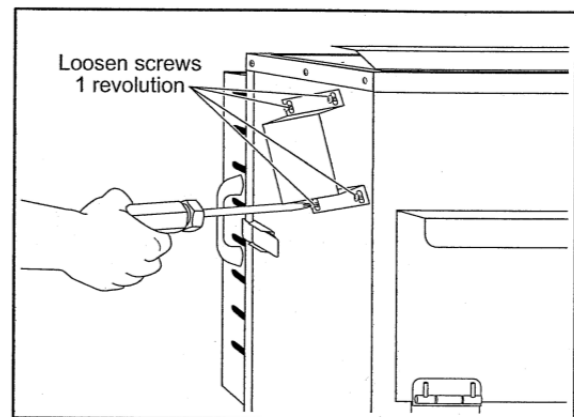


(*Fig. 2*)

SCOOP HOLDER INSTALLATION:

The Chip Scoop Holder will secure up to a 6" wide scoop.

1. On either the left or right side of the Chip Warmer, loosen four side screws one revolution.
2. Position the Chip Scoop Holder. (*Fig. 3*)



(*Fig. 3*)

3. Tighten four side screws.

ELECTRICAL REQUIREMENTS

ELECTRICAL CODES & STANDARDS:

The warmer must be installed in accordance with:

In the United States of America:

1. State and Local Codes.
2. National Electrical Code, ANSI/NFPA-70 (latest edition.) Copies may be obtained from: The National Fire Protection Association, Batterymarch Park, Quincy, MA 02269.

In Canada:

1. Local Codes.
2. Canadian Electrical Code, CSA C22.1 (latest edition.) Copies may be obtained from: The Canadian Standard Association, 178 Rexdale Blvd., Etobicoke, Ontario, Canada M9W 1R3.

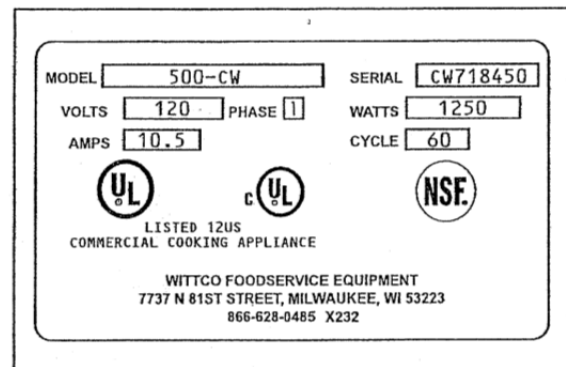
ELECTRICAL CONNECTIONS:

The warmer is factory wired for 110/120 volt single phase operation. All 110/120 volt warmers are equipped with a 8 foot cord and NEMA 5-15 plug as standard equipment. Refer to wiring diagram in the back of this manual.

The cord and plug supplied is a suitable durable cord with a molded three-prong plug, and is provided with a proper strain relief.

⚠ WARNING All warmers are equipped with a three-prong plug. It is imperative that this plug must be connected into a properly grounded three-prong receptacle. If the receptacle is not the proper grounding type, contact an electrician. **DO NOT REMOVE THE GROUNDING PRONG FROM THIS PLUG.**

Verify that the power source matches the Serial Data Plate located on the lower back corner of the warmer and the plug configuration before the connection is made. (Fig. 4)



(Fig. 4.)

A separate disconnect switch or circuit breaker is recommended to be placed at a convenient location between the Chip Warmer and the electric power source.

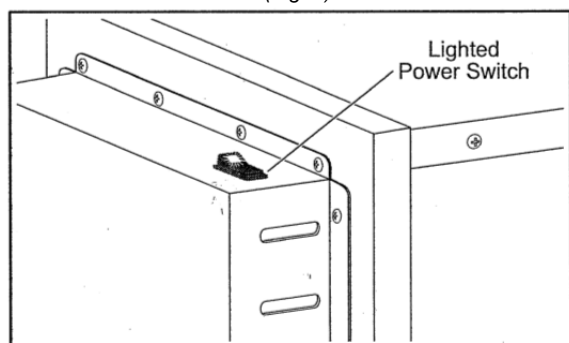
To avoid damage to the power supply cord, cord retainer bushing, or electrical outlets, always check to be certain that the power cord is unplugged from the power source before moving the unit.

OPERATION

OPERATION INSTRUCTIONS (Models 500-CW & 700-CW)

⚠ WARNING The Warmer and its parts are hot. Be very careful when operating, cleaning, or servicing the warmer.

1. Switch Power Switch to ON position. Verify that switch illuminates. (Fig. 5)



(Fig.5)

2. The internal thermostat is factory preset to 180° F. The blower fan

circulates heated air through the perforated removable chip tray located at the bottom of the interior of the cabinet. (under the chips.)

3. Open Top Door.
4. Pour chips into Baffle.

Do not overfill. The Top Door must be able to fully close.

VCD5 holds approx. 22 gallons, and VCD44 holds approx. 44 gallons of chips.

5. Close Top Door.
6. After approx. 30 to 40 minutes, open Front Door to access warmed chips.
7. Use the Chip Scoop to remove desired amount of chips.
8. Close Front Door.

CLEANING INSTRUCTIONS (Models 500-CW & 700-CW)

⚠ WARNING The Warmer and its parts are hot. Be very careful when operating, cleaning, or servicing the warmer.

⚠ WARNING Always unplug electrical power supply before cleaning.

The inside of the Chip Warmer must be cleaned each day.

At the end of the day, switch Power Switch to OFF position.

ALLOW UNIT TO COOL DOWN

1. Remove Access Panel by unlocking clips.
2. Place Access Panel away from Chip Warmer.
3. Remove Top Door.
4. Remove all internal Baffles through back opening.
5. Using a soft, clean cloth, clean Top Door and Baffles with a solution of mild detergent and

warm water. Rinse with a soft cloth and warm water. Wipe dry with a soft dry cloth.

Never spray the unit with a hose.

6. Using a soft, clean cloth, clean the inside of the unit with a solution of mild detergent and warm water. Rinse with a soft cloth and warm water. Wipe dry with a soft dry cloth.
7. Replace Top Door and all internal Baffles.
8. Reattach Access Panel.

OPERATION INSTRUCTIONS (Models 500-CW-EX & 700-CW-EX)

The Chip Warmer should be thoroughly cleaned before initial use.

⚠ WARNING The Warmer and its parts are hot. Be very careful when operating, cleaning, or servicing the warmer.

1. Verify that the Chip Warmer is connected to the correct power source.
2. The Lighted Power Switch is located on right back side of the Chip Warmer. Switch power switch to ON position. Verify that the switch illuminates. (Fig. 6)

POWER SWITCH



(Fig.6)

The power switch is what turns the unit on and off.

3. The Thermostat knob is located in the back of the unit near the power switch. (Fig.7)

THERMOSTAT KNOB



(Fig.7)

Adjust the knob to the desired temperature setting. Once a desired temperature setting is determined, the knob can be left in this position until a temperature adjustment is needed.

4. Check the interior rear of warmer to ensure that it is heating. The blower fan circulates heated air through the perforated removable baffle located at the bottom of the interior of the cabinet (under the chips.) (Fig. 10)
5. Open Top Doors.
6. Pour chips into unit.

Do not overfill. The Top Doors must be able to fully close.

VCW26 holds approx. 26 gallons and VCW46 holds approx. 46 gallons of chips.

7. Close Top Doors.
8. After approx. 30 to 40 minutes, open Front Door to access warmed chips.
9. Close Front Door after access.

SHUTDOWN

⚠ WARNING The Warmer and its parts are hot. Be very careful when operating, cleaning, or servicing the warmer.

At the end of the day:

1. Switch Power Switch to OFF position.
2. Clean unit following instructions in this manual.

CLEANING INSTRUCTIONS (Models 500-CW-EX & 700-CW-EX)

⚠ WARNING The Warmer and its parts are hot. Be very careful when operating, cleaning, or servicing the warmer.

⚠ WARNING Always *unplug electrical power supply* before cleaning.

INTERIOR:

The inside of the Chip Warmer must be cleaned each day.

1. Unplug electrical power supply.
2. Allow warmer to cool before cleaning.
3. Remove front panel by opening clips on each side of panel. (Fig.8)



CLIP (Fig. 8)

Slide Front Panel downward past the upper lip and lift away and remove from Chip Warmer. (Fig. 9)



FRONT PANEL / (Fig. 9)

4. Remove interior baffle at the bottom of the unit. A handle is located toward the back of the baffle. (Fig. 10)



INTERIOR BAFFLE / (Fig. 10)

5. Using a soft, clean cloth, clean inside of warmer with a solution of mild detergent and warm water. Rinse with warm water, and wipe dry.

Never spray the unit with a hose.

6. Replace baffle and front panel using a reverse of the removal instructions.

EXTERIOR:

Refer to "STAINLESS STEEL CARE."

HEAVY-DUTY CLEANING:

For heavy-duty cleaning, use warm water, a degreaser, and soft cloth. Never rub in a circular motion -- rub gently in the direction of the steel grain.

Always rinse thoroughly.

Never spray the unit with a hose.

STAINLESS STEEL CARE

CLEANING:

Stainless Steel contains 70 – 80% iron, which will rust if not properly maintained. Stainless Steel also contains 12 – 30% chromium, which forms an invisible passive, protective film that shields against corrosion.

If the protective film remains intact, the stainless steel will remain intact. However, if the film is damaged, the stainless steel can break down and rust.

PREVENTIVE CARE:

To prevent stainless steel break-down, follow these steps:

1. **Never use any metal tools, scrapers, files, wire brushes, or scouring pads** to clean the unit.
2. **Never use steel wool** – which will leave behind particles that will rust.
3. **Never use acid-based or chloride containing cleaning solutions** – which will break down the protective film.
4. **Never rub in a circular motion.** Always rub gently in the direction of the steel grain.
5. **Never leave any food products or salt on the surface.** Many foods are acidic. Salt contains chloride.

EXTERIOR CLEANING:

Special stainless steel polishing cleaners can preserve and restore the protective film on the exterior of the unit.

Preserve the life of stainless steel with a regular application of a high-quality stainless steel polishing cleaner, as a final step to daily cleaning.

If signs of breakdown appear, restore the stainless steel surface. First, thoroughly clean, rinse, and dry the surface. Then, on a daily basis, apply a high-quality stainless steel polish according to manufacturer's instructions.

HEAT TINT:

Darkened areas, called "heat tint," may appear on stainless steel exposed to excessive heat. Excessive heat causes the protective film to thicken. This is unsightly, but is not a sign of permanent damage.

To remove heat tint, follow the routine cleaning procedure. Stubborn heat tint will require heavy-duty cleaning. To reduce heat tint, limit the exposure of equipment to excessive heat.

LOCKOUT / TAGOUT PROCEDURE



⚠ WARNING Always perform the **LOCKOUT / TAGOUT PROCEDURE** of your facility before removing any sheet metal panels or attempting to service this equipment.

The Lockout / Tagout Procedure is used to protect personnel working on an electrical appliance. Before performing any type of maintenance or service on an electrically operated appliance, follow these steps:

1. In electrical box, place unit's circuit breaker into OFF position.
2. Place a lock or other device on electrical box cover to prevent someone from placing circuit breaker ON.
3. Place a tag on electrical box cover to indicate that unit has been disconnected for service and power should not be restored until tag is removed by maintenance personnel.
4. Disconnect unit power cord from electrical outlet.
5. Place a tag on cord to indicate that unit has been disconnected for service and power should not be restored until tag is removed by maintenance personnel

TROUBLESHOOTING

SYMPTOM	POSSIBLE CAUSE	REMEDY
Chip Warmer not operating	Chip Warmer not plugged into power source.	Plug chip warmer into correct power source as indicated on serial data plate.
	Lighted power switch not in ON position.	Press power switch to ON position.
	No power.	Check fuse and reset is necessary. Check GFCI switch on outlet.
GFCI or Ground Fault Circuit Indicator tripped.	Moisture problem.	Dry moisture problem.
	Damaged: element, wire, power cord, etc.	Contact Authorized Service Provider.
Chip Warmer is connected to power source, power is on, but not heating.	Damaged: element, wire, power cord, motor, etc.	Contact Authorized Service Provider.
Lighted power switch is illuminated, but circulating fan is not operating	Damaged fan, etc.	Contact Authorized Service Provider

SERVICE & PARTS INFORMATION

To obtain Service and Parts information concerning this model, contact Wittco Service Department at the address listed on the front cover of this manual or refer to our website: www.wittco.com for a complete listing of Authorized Service and Parts depots.

Customer Service	1-800-814-2028
Technical Service	1-800-814-2028
Service Parts	1-800-814-2028

When calling for service, have the model number and serial number available.

